

Sidedoor Van Ramp Installation Sheet

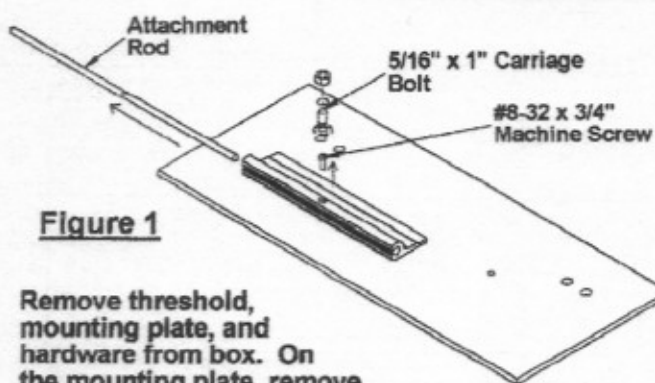


Figure 1

Remove threshold, mounting plate, and hardware from box. On the mounting plate, remove the attachment rod by unscrewing the small #8-32 x 3/4" machine screw in hinge and sliding out the rod. Attach the 5/16" x 1" Carriage Bolt with nut to plate as shown in figure 1. Be sure head of bolt is on the bottom of plate, with nut on top.

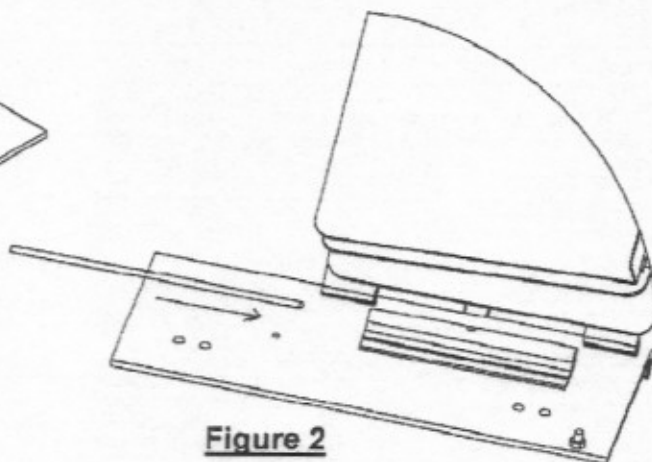


Figure 2

Attach ramp to mounting plate. Line up hinges on ramp with hinge on plate. Reinsert the attachment rod and reattach with machine screw. See figure 2.

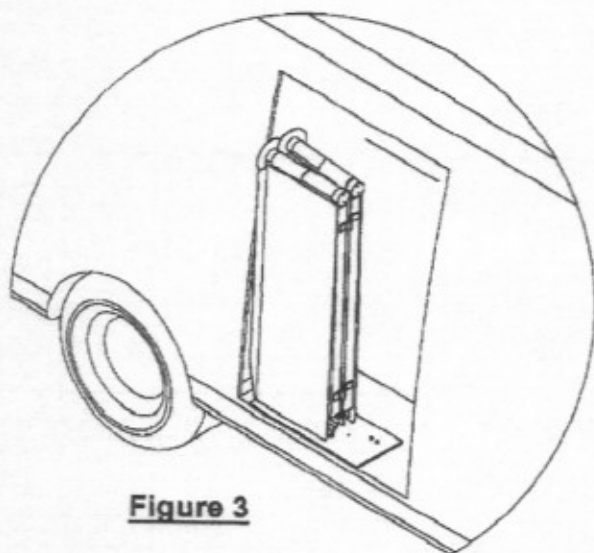


Figure 3

With mounting plate attached to ramp, place ramp in side door of van. Position the ramp in the doorway. Move ramp around so that ramp clears the sides, folds out properly, and van door closes with adequate clearance. See figure 3.

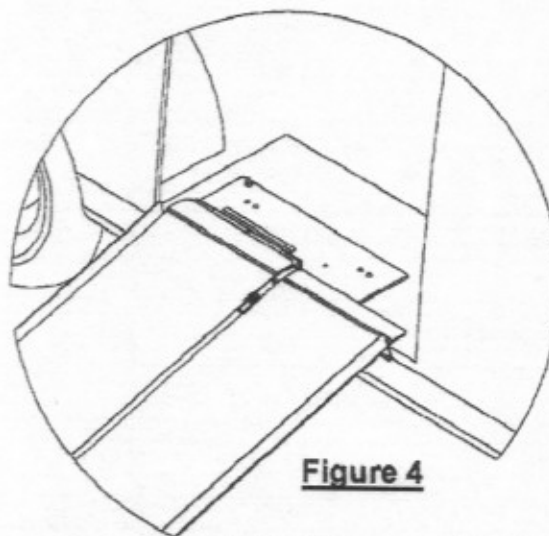


Figure 4

Mark where ramp plate is to be attached to van floor. You do not need to use the predrilled holes to anchor ramp to floor. Anchor holes may be drilled anywhere on plate as needed. Make sure where you drill does not interfere with anything under van. Use hardware provided, or in some cases you may have to replace with longer bolts, to anchor ramp plate to floor. See figure 4.

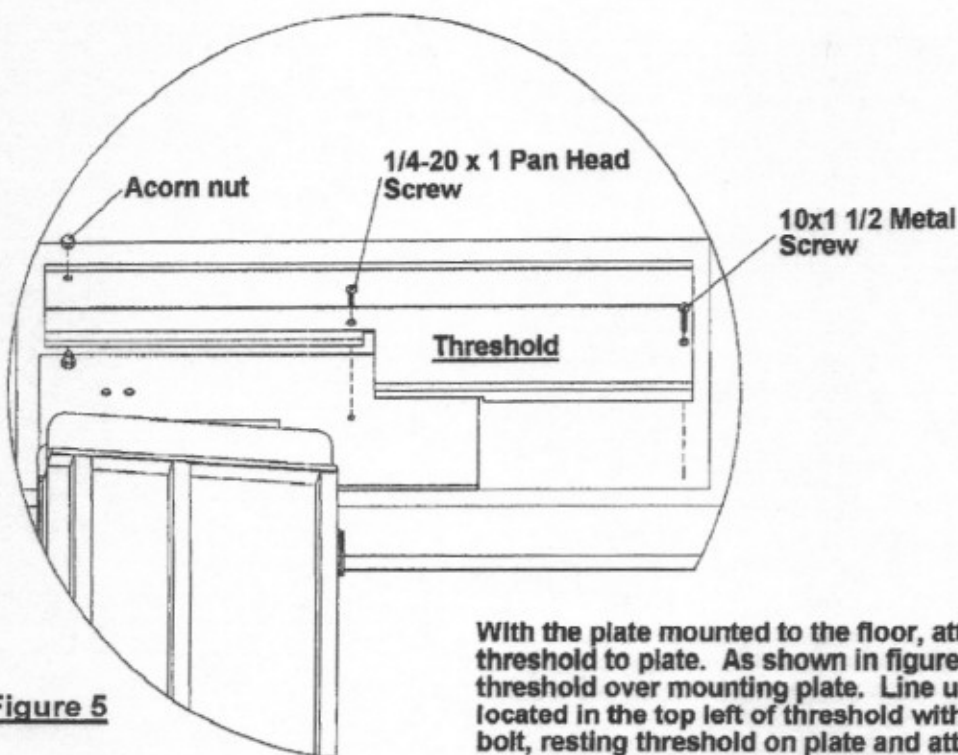
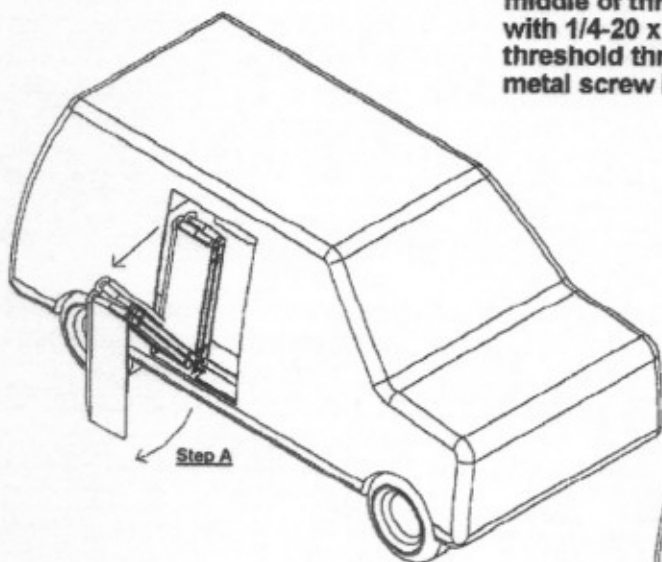


Figure 5

With the plate mounted to the floor, attach threshold to plate. As shown in figure 5, place threshold over mounting plate. Line up hole located in the top left of threshold with carriage bolt, resting threshold on plate and attach with acorn nut. Line up second hole located in the middle of threshold with hole in plate. Attach with 1/4-20 x 1" pan head screw. Finish attaching threshold through hole on right side with 10x 1 1/2 metal screw into van floor.



Unfolding Your Ramp

- Step A: Pull out bottom left section of ramp and rest on the ground.
- Step B: Fold down bottom right section of ramp.
- Step C: Fold the entire right section of ramp over resting hook on threshold.

Note: To fold up ramp, reverse these steps.

